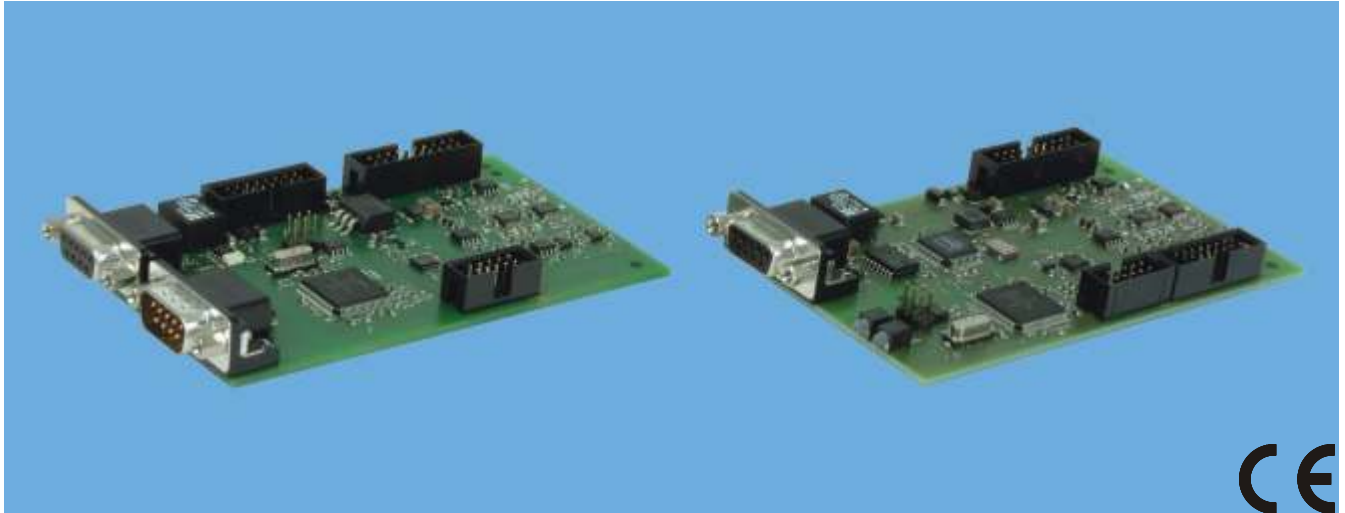




Field Bus Interfaces



PSC-CAN card

PSC-PB card

PSC-CAN CANopen Power Supply Controller

Interface between CANopen Bus System and a Power Supply



- CANopen standard
- Up to 1Mbit/s communication, baud rate dip switch selectable

PSC-PB PROFIBUS Power Supply Controller

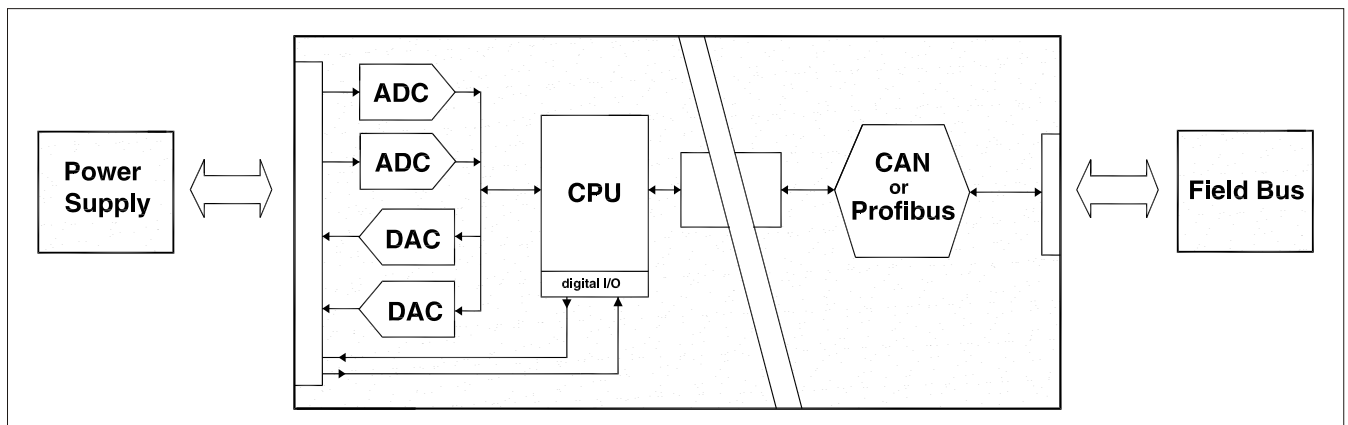
Interface between PROFIBUS DP Bus System and a Power Supply



- PROFIBUS DP V0 standard
- Up to 12 Mbit/s PROFIBUS DP communication

Common Features

- Node address setting dip switch selectable
- 14-bit resolution for voltage and current setting and read back
- Programming and monitoring accuracy < 0.1%
- Read back of power supply status signals
- Setting the power supply in Shut Down mode
- 600V galvanic isolation between Bus and Power Supply



Output voltage and current setting and read back

- 14 bit resolution for setting the output voltage and current
- 14 bit resolution for read back (monitoring) of the output voltage and current
- Tc typical 15 ppm/K
- Full scale accuracy < 0.1%
- Factory offset and full scale calibration in combination with power supply

Status monitoring

The following power supply statuses can be read: ACF, DCF, LIM, OT, PSOL and CC

ACF = AC Fail, DCF = DC Fail, LIM = voltage or current limit reached, OT = Overtemperature, PSOL = Power Sink Overload, CC = Constant Current mode

Controls

The power supply can be set in the RSD mode

RSD = Remote Shut Down: shuts down the output of the power supply.

CANopen features

- SYNC Object
- Emergency Object
- Node Guarding
- Heartbeat
- Expedited and Nonexpedited SDO Transfer
- Node address range 1 - 127
- Baud rate setting range 10 kbit/s - 1 Mbit/s

PROFIBUS features

- Slave in a PROFIBUS-DP network
- DP-V0 standard according to IEC 61784 Ed. 1:2002 CPF 3/1
- PROFIBUS protocol according IEC 61158
- Slave address range 1 - 127

Ordercodes for factory installed and calibrated interfaces

	Option code	Interface	Comments
ES150 - series	Option P279	Profibus	Analog programming connector removed
ES150 - series	Option P280	CANopen	Analog programming connector removed
ES030-10	Option P281	Profibus	Analog programming connector removed
ES030-10	Option P282	CANopen	Analog programming connector removed
SM800 - series	Option P271	Profibus	Analog programming connector still available
SM800 - series	Option P272	CANopen	Analog programming connector still available
SM1500 - series	Option P273	Profibus	Analog programming connector still available
SM1500 - series	Option P274	CANopen	Analog programming connector still available
SM3000 - series	Option P275	Profibus	Analog programming connector removed
SM3000 - series	Option P276	CANopen	Analog programming connector removed
SM6000 - series	Option P277	Profibus	Analog programming connector still available , except on SM600-10.
SM6000 - series	Option P278	CANopen	Analog programming connector still available , except on SM600-10.